

MA NUAL



GEO TREKKING

CONGRATULATIONS!

You have chosen a pair of LOOK GEO TREKKING pedals.

Thank you for your support.

By choosing these LOOK GEO TREKKING pedals, you can enjoy the benefits of a high-tech, French-designed product.

Like the vast majority of LOOK products, they are identical to the pedals provided to professional athletes, and are checked throughout the manufacturing process to ensure complete satisfaction.

Our products meet current European and international standards.

Please read these instructions fully before use and follow all the advice given in order to make the most of this high-quality product.

LOOK reserves the right to change the product specifications without prior notice in order to improve it.

CONTENTS OF YOUR ORDER

1 pair of GEO TREKKING pedals/1 pair of X-TRACK EASY cleats/4 cleat screws/ 2 washers/1 light set + USB cable (according to model)



Caution:

- This LOOK accessory is designed and optimised for cyclists weighing a maximum of 100 kg (220.5 lbs).

- If you weigh more than 85 kg, you must be particularly careful and have your pedals inspected more frequently (than a person weighing less than 85 kg) to check for cracks, warping, or any other signs of fatigue or overuse.

- Before taking to the road, familiarise yourself with your new pedals.

- Practice clipping and unclipping your feet from the pedals while standing still, then while cycling in a secure space.

LIFESPAN - USE - REQUIRED INSPECTIONS

All our axles are only approved following extremely demanding testing, above and beyond the current standard (ISO 4210).

The lifespan of LOOK components depends on many factors, such as their use and the cyclist's height and weight. Impacts, falls, improper use or rough use in general can compromise the structural integrity of the components and significantly reduce their lifespan.

Some components are also subject to wear over time. Have your pedals inspected regularly by an authorised LOOK retailer to check for cracks, warping, signs of fatigue or wear. If the inspection reveals warping, cracks, dents or stress marks, however slight, immediately replace the component in question; components that have undergone excessive wear must also be replaced immediately. The frequency of inspection depends on many factors; consult your authorised LOOK retailer.

Component must be replaced by an authorised LOOK dealer.

The list of replaceable components is available from authorised LOOK retailers.

READ IN ADVANCE!

Cycling is an inherently dangerous activity, especially mountain biking. To reduce the risk of serious injury, be sure to properly maintain your bike and correctly install and adjust all components. When cycling, always wear a helmet and follow the rules of the road. Pay attention to the road and traffic. Stay up to date with all relevant local laws. If you are cycling at night, you need to be able to see and be seen. The optional reflectors and lights provided with the VISION versions are not adequate and cannot be used in place of front and rear lights. Wearing reflective garments is

highly recommended or even mandatory in some countries.

For more IMPORTANT INFORMATION, please consult our website www.lookcycle.com WARRANTY POLICY section > IMPORTANT INFORMATION.

CLEAT INSTALLATION

FEATURES

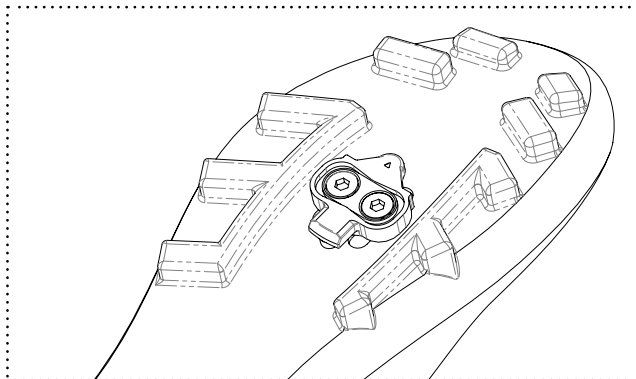
The cleats are compatible with all SPD shoes. The left and right cleats are completely identical, but they must be installed according to the recommended position (see the paragraph on fitting the cleats).

FITTING THE CLEATS

Before fitting your cleats, refer to the instructions for your shoes.

NB the cleats have a front and a back. Align the cleats with the arrow pointing forwards.

See diagram **A**

A / CLEAT DIRECTION

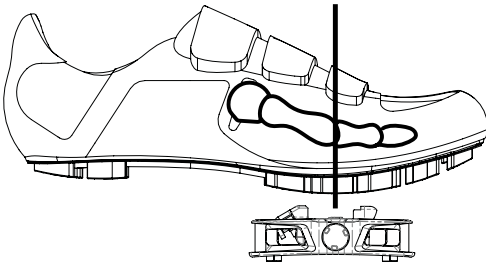
CLEAT INSTALLATION (continued)

Lateral positioning: centre the cleat perfectly in the recess between the shoe treads

Longitudinal positioning : to ensure the most effective adjustment possible, the cleat screws should generally be located under the inside of the ball of your foot:

See diagram B.

B / LONGITUDINAL POSITIONING



The inside of the ball of your foot is at the centre of where your foot bends before your big toe.

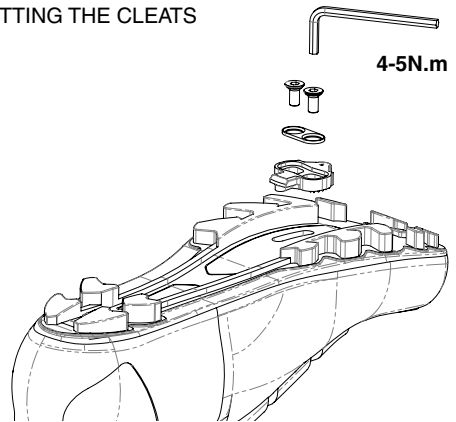
Make sure that the sole is clean where it meets the cleat, and clean it with a damp cloth if necessary. Lubricate the screws and tighten them to a torque of 4 to 5 N m using a high-quality 4 mm Allen key.

Clip your feet into the pedals and ride your bike a few metres. If your heels touch the chain stays or you feel pressure on your ankles or knees, change the position of the cleats. If you do not feel any discomfort, your cleats are correctly adjusted. You may need to move the cleats several times.

Only use LOOK cleats. Any other cleats may cause malfunctions or serious accidents, which could be fatal.

Before use, make sure the cleats are tight enough beneath your shoes before clipping in. Use only the screws provided with the cleats to fasten them to your shoes. Check regularly that the cleats have not shifted beneath your shoes,

C / FITTING THE CLEATS



especially if they have carbon soles.

Everybody is different,

right down to the way their feet push on the pedals. However, supination (outside of the foot lower than the inside) or pronation (inside of the foot lower than the outside) causes premature wear on the pedals, axles, cleats and extra stress during release. This can cause serious or even fatal accidents.

We recommend consulting a specialist to determine the position of your feet and make any possible corrections.

INSTALLING THE PEDALS ON THE CRANK ARMS

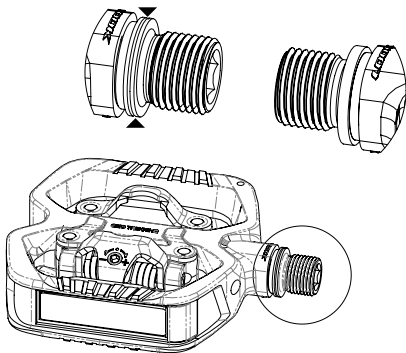
Before fitting your pedals, make sure the crank arms are BSA (9/16x20).

Clean and grease the thread of the crank arm before fitting the pedal.

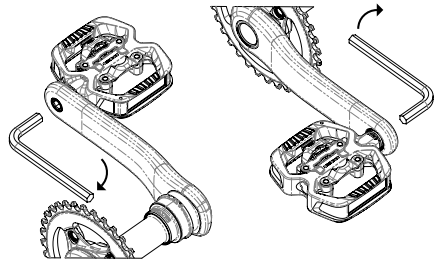
Locate the left pedal, marked with a circle on the axle (See diagram **E**). It is screwed on anticlockwise.

The pedals are screwed on using an 8 mm Allen key with 25 N m tightening torque.

E / IDENTIFYING THE RIGHT AND LEFT PEDALS



C / TIGHTENING THE PEDAL ON THE CRANK ARM



PEDAL USAGE

OPERATION

The pedals are compatible with single-release cleats and multi-release cleats. Every type of cleat has different features and operates differently. Therefore, the choice of the type of cleats and the tension of the springs must be adapted to your habits, power, height and weight.

The table below shows the suitable LOOK cleats for each type of cycling.

X-TRACK OPTIONAL	single-release	SPD-compatible	
X-TRACK EASY SUPPLIED	multi-directional release	30% easier to clip in	SPD-compatible

The incorrect cleats and/or adjustment can lead to the feet getting accidentally unclipped or stuck, which may cause serious falls or even death.

PEDAL USAGE (continued)

Single-direction release

Multi-directional release

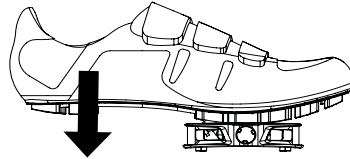
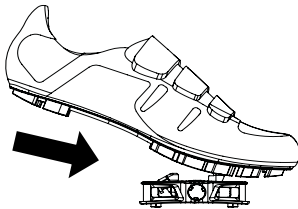
INTRODUCTION

The optional single-direction release cleats (**X-TRACK**) ensure optimal support in all conditions.

Delivered as standard with the GEO TREKKING range, the **X-TRACK EASY** cleats are intended for leisure use and are particularly suitable for beginners or people suffering from a lack of mobility in their joints (knees or ankles). However, they are not suitable for competitions or any type of cycling that applies vertical traction to the pedals (e.g. jumps).

They are clipped in by inserting the cleat into the pedal, forward and then down.

CLIPPING IN



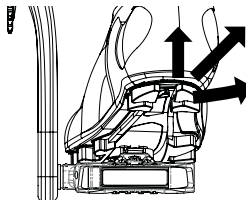
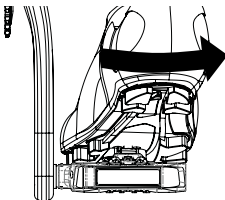
Single-direction release

Multi-directional release

RELEASE

In normal use, the cleats are unclipped by rotating the heels outwards.

In normal use, the cleats are unclipped by rotating the heels outward or pulling the heels upwards, or a combination of these two movements.



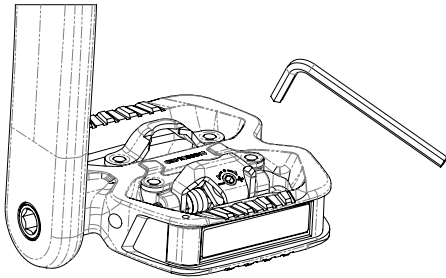
**Single-direction
release**

**Multi-directional
release**

PRECAUTIONS

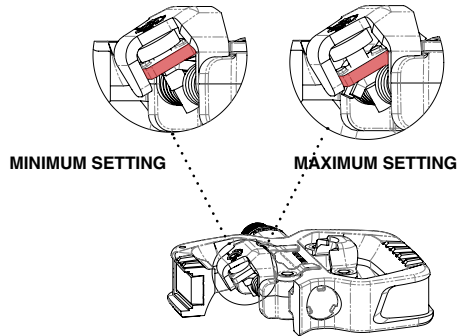
In case of necessity (falls or loss of balance), the system is designed to release with an outward or inward motion, provided that the user knows to unclip their feet. However, unclipping the cleats is affected by several factors: the speed of execution, the user's weight, the tension of the springs and the angle of the feet, and cannot be guaranteed in any situation.

This type of cleat cannot guarantee optimal foot support, especially during intensive use.



ADJUSTING THE TENSION

The LOOK GEO TREKKING pedals are always delivered preset to the minimum tension. The tension can be adjusted on the back of the pedals, on the jaws, using a 3 mm Allen key. Turning the key in the + direction (clockwise) increases the effort required to unclip from the cleat. Audible clicks help you control the number of notches used. Leave the tension on the minimum setting until you are fully acquainted with the system.



The pedals cannot be adjusted while the cleats are clipped in. You will know that you are approaching the maximum setting when it becomes harder to turn the screw. Once you reach this point, stop turning the screw to avoid damaging the pedal.

LOOK VISION LIGHT

A / ON-OFF/CHANGING MODE

Long pulse (1s) = on-off

Short pulse - changing light mode

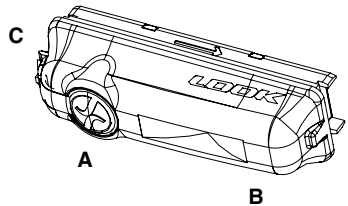
Mode	Lighting	Battery life Hours	Power Lumens	Charging time Mins
MODE 1	Constant	5	14	50
MODE 2	Flash	10	14	
MODE 3	Eco flash	30	14	

B / CHARGE/BATTERY LEVEL INDICATOR

Flashing red: critical battery level

Flashing green: charging

Solid green: charged



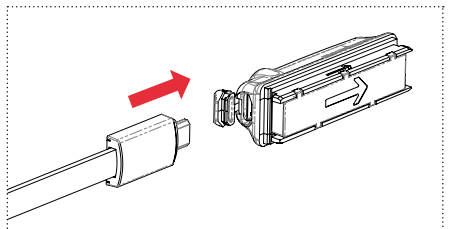
C / MICRO USB PORT

CHARGING THE BATTERIES

The batteries of the LOOK VISION lights are charged in our factory to the 30% maximum permitted by transport regulations. They should therefore be charged completely before first use.

To charge your batteries correctly, charge them in a dry space at room temperature. Extreme conditions (humidity, high or low temperatures) should be avoided. The battery life for the different modes is only guaranteed in the -5°C/+ 40°C temperature range.

- 1 / Open the micro USB port cover on the light
- 2 / Plug the charging cable into the micro USB port on the light
- 3 / Plug the other end of the charging cable into the USB port of a computer or AC adapter.
- 4 / When it is charged, unplug the cable and close the cover on the light.



Important: Check the local laws concerning lighting. Flashing lights are not permitted in some countries. LOOK VISION lights do not comply with German traffic law StVZO.

LOOK Vision is additional lighting intended to make cyclists even more clearly visible. It is not a substitute for the lighting required by law.

LOOK VISION LIGHT



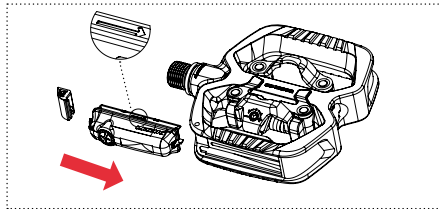
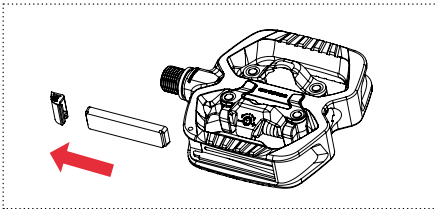
Caution: Make sure you close that the micro USB port cover properly before you start cycling to stop any dirt that could interfere with charging from getting in.

The initial battery life (30 hours – eco flash mode) may decrease over time due to various factors: improper charging, the number of charges or the ambient temperature during charging (the temperature must be between -5° and 40° Celsius; outside this range the battery capacity may be reduced).

If your batteries are completely flat for a significant period of time, it may gradually decrease their initial battery life, until they are irreversibly depleted. You should therefore maintain a minimum charge level by charging at least every 2 months.

FITTING – REMOVING THE LIGHTS

- 1 / Choose the side of the pedal on which you want to fit the lights
- 2 / Remove the clip on the inside of the reflector
- 3 / Remove the reflector
- 4 / Insert the light in the direction indicated by the engraved arrow on the back
- 5 / Reposition the clip until you feel the click



LIGHT STORAGE

Store your lights in a dry space at room temperature.

RECYCLING

The batteries must be recycled. Do not throw the batteries away.

The logo opposite, displayed on the products themselves or their technical documents, indicates that devices with electronic components should not be mixed with normal household waste.

Contact the competent authorities in your country to find out the most appropriate way to recycle your batteries.

Recycling helps reduce the use of limited natural resources and prevents the possible negative effects that not recycling could have on the environment and human health.



CHANGING THE CLEATS

As wearing parts, the properties and operation of the cleats can change over time, following intensive use or repeated contact with the ground. If you notice issues with clipping in or out, or feel like your feet are floating over the pedals, you should change your cleats.

If you have to remove your cleats (for example, to change your shoes or replace used cleats), we

REMOVING THE CLEATS

strongly recommend that you follow the advice below to avoid permanent damage to the cleat attachment screws.

- Remove any dirt and/or dust from the cleat with a damp cloth.
- Remove any dirt from the hexagon sockets of the screws with a small pointed tool and a small, stiff bristle brush.
- Using a high-quality 4 mm Allen key, check that it is fully inserted into the socket and unscrew each screw.
- To replace the cleats, refer to the corresponding paragraph.

MAINTENANCE

Always clean your pedals with soap or mild detergent and water.

Rinse them with water and dry with a soft cloth. Any heat source can irreparably damage your pedals and cleats. Do not use a high-pressure cleaning device or abrasive products.

For more information on maintenance requirements, please visit www.lookcycle.com SERVICES tab > WARRANTY POLICY > MAINTENANCE

IT IS IMPORTANT TO CHECK AND MAINTAIN YOUR PRODUCT FOR YOUR SAFETY AND TO ENSURE A LONG PRODUCT LIFESPAN. POORLY MAINTAINED PEDAL CAN BREAK OR MALFUNCTION, WHICH COULD POTENTIALLY CAUSE AN ACCIDENT IN WHICH YOU COULD BE KILLED, SERIOUSLY INJURED OR PARALYSED.

AFTER-SALES SERVICE

Our manufacturing process is very thorough, however in the unlikely event of a defect if a repair is required, please take the defective product to your authorised LOOK retailer, together with your purchase receipt, and explain the defect.

WARRANTY

TO BENEFIT FROM AN ADDITIONAL YEAR OF WARRANTY COVERAGE (EXCLUDING LIGHTING), SAVE YOUR PROOF OF PURCHASE AND REGISTER YOUR PEDALS ONLINE WITHIN 30 DAYS OF YOUR PURCHASE. IN ADDITION, WE MAY CONTACT YOU TO PROVIDE IMPORTANT INFORMATION IN THE EVENT OF PRODUCT RECALLS OR POSSIBLE UPDATES. REFER TO THE REGISTRATION MANUAL.

LOOK GEO TREKKING pedals are guaranteed for two years from the date of purchase against any manufacturing defects.

Through the authorised distributors in the country in which the product was purchased, LOOK guarantees the product against any manufacturing defects for the first buyer or user.

This warranty does not apply to "Special Service Course" products and/or products purchased from professional, amateur or athletic teams, clubs, tenants or at auction, even if the product is new.

The warranty is only valid if the product has been assembled in accordance with the instructions above. The warranty does not cover damage

caused by poor maintenance or improper usage. The warranty is also rendered null and void if the product:

- Has undergone a technical and/or structural modification, or has been repaired or repainted outside of an authorised LOOK repair centre.
- Has been repaired and/or used with unauthorised spare parts.

This limited warranty does not apply to normal wear (including cleats), parts that have been repaired or subjected to improper repairs or modifications, or damage caused by an accident, improper or inappropriate use, or a lack of due diligence. Spinning (indoor cycling) is considered such an inappropriate use and will render the warranty null and void.

The only recourse under the LOOK limited warranty or any implied warranty is limited to repairs or exchanges of all or part of the product concerned, at the sole discretion of look. Under no circumstances can LOOK and its agents or distributors be held liable for any direct or consequential damage, or for the cost of transporting or shipping the product, regardless of whether the claim is based on the contract, the warranty, negligence or product liability, including but not limited to loss or damage related to any property other than the guaranteed product itself, loss of use of property or any other financial loss.

No matter the cause, neither LOOK nor its agents or distributors can be held liable for any financial contributions or product compensation. The rights granted by the warranty and the benefits cannot be assigned or transferred.

LOOK's obligations under any warranty are limited to those specified in this LOOK limited warranty, according to the broadest interpretation of the law.

Some countries and states do not permit time limits on implied warranties and/or the exclusion or limitation of direct or consequent damages. In this case, the limits and exclusions referred to above do not apply. This limited warranty gives you specific legal rights, and possibly other rights, which vary depending on local legislation.

Disclaimer

- The information in this manual is provided for informational purposes only. The products described are subject to change without notice from the manufacturer, in order to implement permanent technical improvements.
- LOOK does not provide any warranty or assume any liability in the event of damage related to or caused by the use of this manual or the products it describes.
- LOOK is in no way responsible for any damages, loss, expenses or costs, be they direct or indirect, general, consequential or specific, caused by or related to the use of this manual or the products it describes.

For more information on maintenance requirements, please visit www.lookcycle.com LOOK WARRANTY POLICY section > LEGAL WARRANTY

COUNTERFEIT WARNING

THE USE OF COUNTERFEIT PRODUCTS IS VERY DANGEROUS AND MAY CAUSE YOU AND OTHERS TO HAVE SERIOUS FALLS, RESULTING IN SERIOUS INJURY OR EVEN DEATH.

LOOK products are protected by industrial property rights. <http://www.lookcycle.com/patents/> Therefore, in the case of purchase, use, or sale of a counterfeit product, we reserve the right to take any action we deem appropriate to stop the infringement of our rights and obtain compensation for the harm suffered as defined in Articles L613-3 to L613-6, L615-14 and L716-9.

It goes without saying that counterfeit products do not benefit from any LOOK warranty and renders all LOOK warranties on a LOOK compliant product used with counterfeit products null and void. It also renders all accident-related, material, moral, civil and physical responsibilities on the part of LOOK CYCLE INTERNATIONAL null and void.

The sale of products on foreign websites is likely to involve counterfeit products.

To prevent fraud, we advise you to be very vigilant regarding the following (non-exhaustive list):

- Websites offering products marked LOOK at well below market price.
- Sales from private individuals to private individuals that do not include a purchase invoice, maintenance follow-up and information on the origin of the product.

For any help, you can contact us via our website or that of the Distributor for your country (the list of our retailers and Distributors is available on WWW.LOOKCYCLE.COM), providing the serial number and/or photos for verification.

This manual may not be used or reproduced, even partially, in any form or by any means without prior written permission from LOOK.

For more information on the COUNTERFEIT WARNING, please visit www.lookcycle.com SERVICES tab > WARRANTY POLICY > COUNTERFEIT

This equipment is in compliance with the provisions of Directive 93/42/EC.

#RIDEYOURDREAM

lookcycle.com